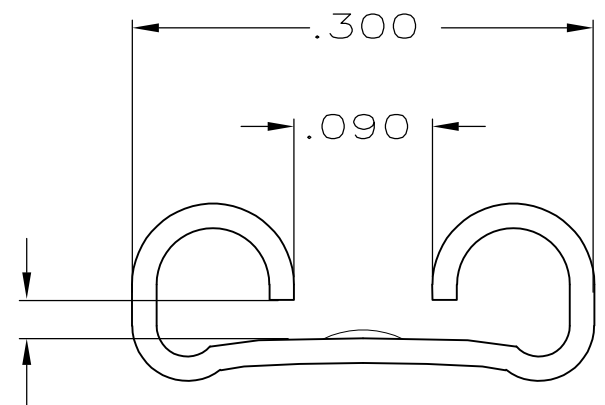
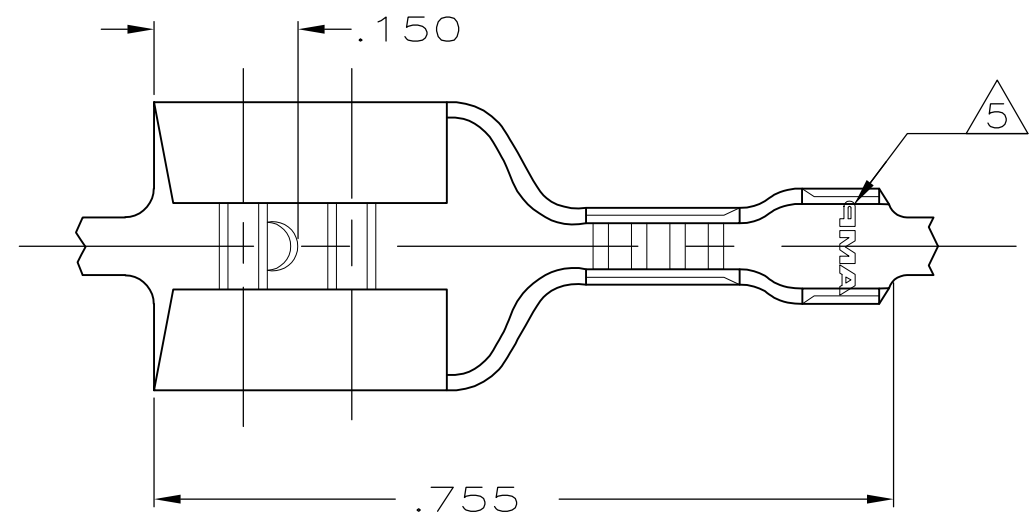


THIS DRAWING IS UNPUBLISHED. RELEASED FOR PUBLICATION
 © COPYRIGHT - By - ALL RIGHTS RESERVED.

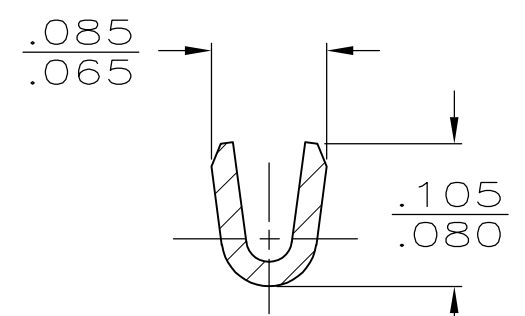
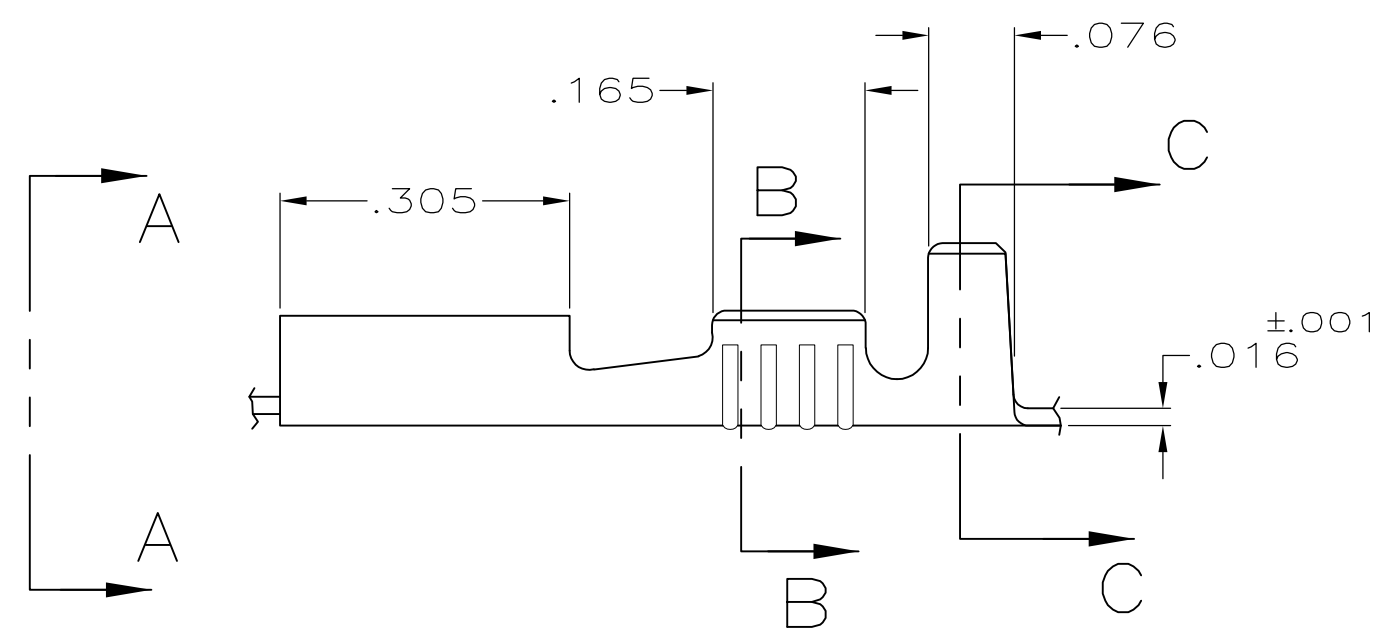
LOC	DIST	REVISIONS					
AF	50	P	LTR	DESCRIPTION	DATE	DWN	APVD
			H	REVISED PER ECR-12-013459	29NOV2012	KH	PD



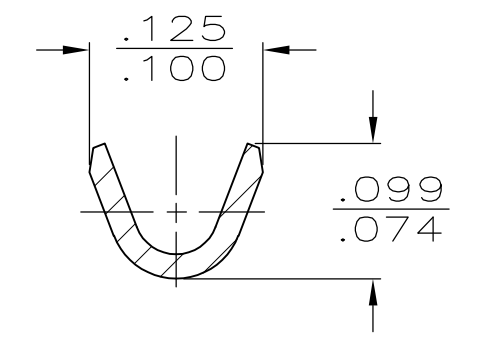
- 1 CONTINUOUS STRIP ON REELS
- 2 MATERIAL BRASS - TIN PLATE
- 3 MATERIAL #2H STEEL - GOLD PLATE .000050 MIN OVER NICKEL.
- 4 MATERIAL T3 PHOS BRZ - TIN PLATE
- 5 FOR 61368-3 ONLY, AMP*. ALL OTHERS JUST AMP.

FITS .250 SERIES FASTON TAB

VIEW A-A
SCALE 8:1



SECTION B-B
SCALE 8:1



SECTION C-C
SCALE 8:1

OBSOLETE	.030-.070	24-20	.032	4	61368-3
	.030-.070	24-20	.032	3	61368-2
	.030-.070	24-20	.032	2	61368-1
	INSUL RANGE	WIRE SIZE	MATING TAB THK ±.001	MATERIAL FINISH	PART NO

THIS DRAWING IS A CONTROLLED DOCUMENT.		DWN	JR RUTH	12/3/90	TE Connectivity RECEPTACLE, FASTON,™ .250 SERIES									
DIMENSIONS: INCHES		CHK	MS FEHER	12/3/90				NAME						
		APVD	C MEYERS	12/3/90				PRODUCT SPEC						
TOLERANCES UNLESS OTHERWISE SPECIFIED:		APPLICATION SPEC						RESTRICTED TO						
MATERIAL SEE TABLE		FINISH SEE TABLE		WEIGHT	-		SIZE	CAGE CODE	DRAWING NO	RESTRICTED TO				
CUSTOMER DRAWING				A300779		C-61368		SCALE		5:1	SHEET	1 OF 1	REV	H